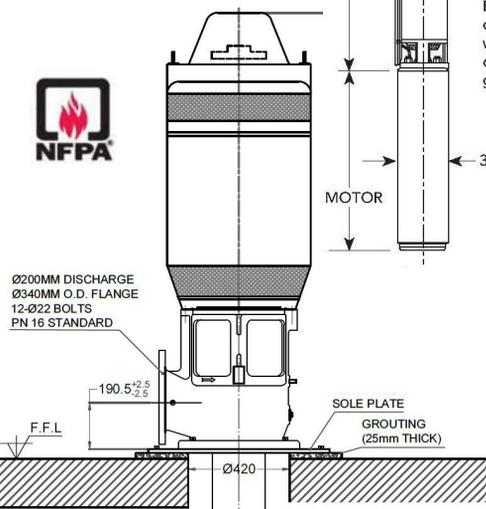




DAVAO CHAPTER

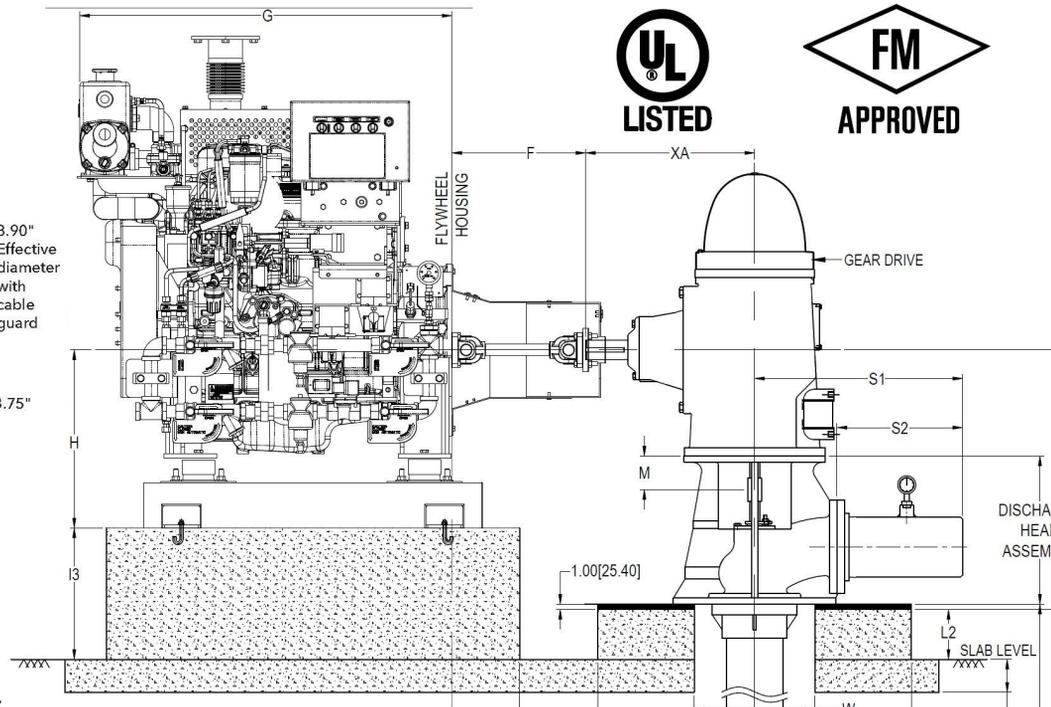
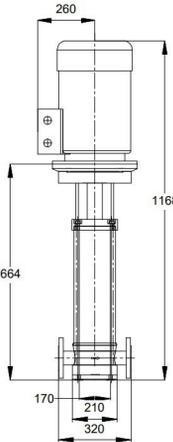


SIDE VIEW



Ø200MM DISCHARGE
Ø340MM O.D. FLANGE
12-Ø22 BOLTS
PN 16 STANDARD

F.F.L. 190.5^{+2.5}/_{-2.5} SOLE PLATE GROUTING (25mm THICK) Ø420

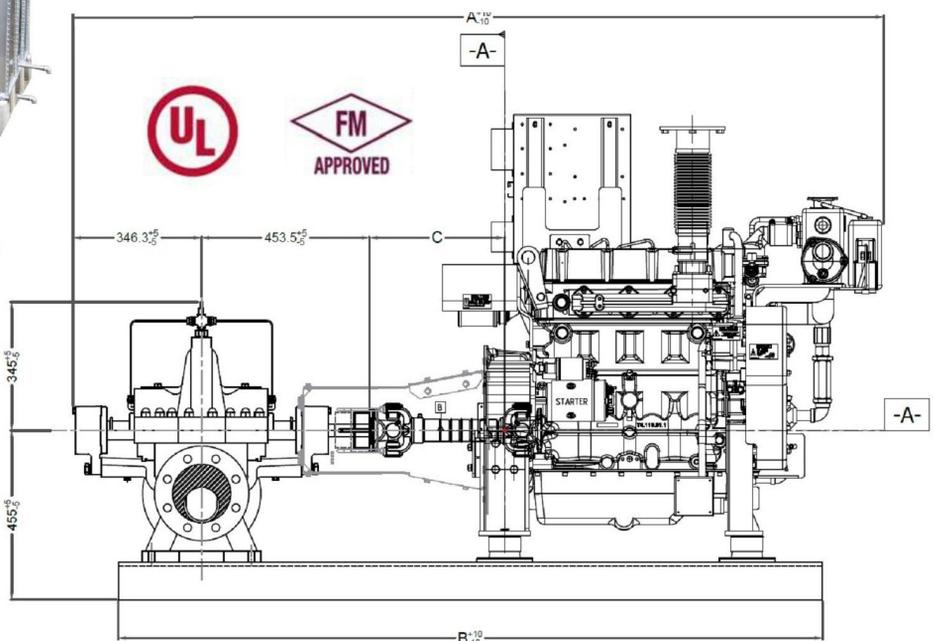
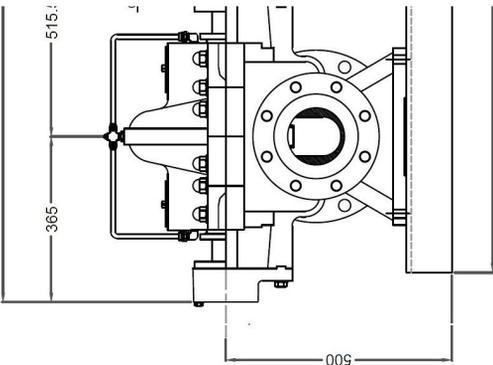


Stairs Drilling Supply and Services

☎ (0917) 772 3392
✉ Jean.stairs.drilling@gmail.com
☎ (082) 236 9371
📍 B47 L24 Deca homes Ph8C, Tacunan, Davao City



- GRP Building Materials Company -
SUNG IL CO., LTD.



UL LISTED AND FM APPROVED FIRE PUMPS



Horizontal Split Case Fire Pumps Multi Stage

Complete line of horizontal split case two and three stage fire pumps with appropriate fittings for providing water supply to fire protection systems in commercial and high-rise buildings, industrial and power & energy markets. Complete line of vertical in-line, space saving, single-stage fire pumps. Peerless TUF & TUTF fire pumps are constructed in accordance with the requirements of Underwriters Laboratories (UL), Underwriters Laboratories Canada (ULC) and Factory Mutual (FM). TUF & TUTF fire pumps comply with the standards of National Fire Protection Association (NFPA) Pamphlet 20.

by **Peerless Pump Company USA**

Vertical In-Line Fire Pumps

Complete line of vertical in-line, space saving, single-stage fire pumps. Peerless PVF in-line fire pumps are constructed in accordance with the requirements of Underwriters Laboratories (UL), Underwriters Laboratories Canada (ULC) and Factory Mutual (FM). PVF fire pumps comply with the standards of National Fire Protection Association (NFPA) Pamphlet 20.

by **Peerless Pump Company USA**



HORIZONTAL SPLIT CASE FIRE PUMP



Horizontal Split Case Fire Pumps offers higher efficiencies, low maintenance, more reliable operation constructed with double inlets that practically eliminate and thrust while boosting operation efficiency. The simplicity of design allows inline service without disturbing piping and ensures a long efficient unit life and minimum power consumption.

- Underwriters Laboratories (UL) – 448
- Factory Mutual (FM) – 1311
- NFPA 20

by **Waterfall Pumps Manufacturing Dubai, UAE**

END SUCTION FIRE PUMP

End Suction Fire Pumps are engineered to last with a precision-cast, dynamically balanced and enclosed impeller that minimizes the vibration and maximizes bearing life. Due to its back-pull-out design, the complete bearing assembly including impeller and casing cover can be dismantled without removing the volute casing from the pipe system.

- Underwriter Laboratories (UL) – 448
- Factory Mutual (FM) – 1319
- NFPA 20

by **Waterfall Pumps Manufacturing Dubai, UAE**



Vertical Turbine Fire Pump

Vertical Turbine Fire pumps are constructed in accordance to with the requirements of Underwriters Laboratories (UL) and Factory Mutual (FM). Can supply kinds of materials for fire pumps in sea water application including Duplex Stainless Steel, Super Duplex Stainless Steel and Ni-Al Bronze.

by **NM Fire China**

FOR POTABLE AND NON POTABLE PUMPS

- Horizontal or vertical installation
- Construction options of cast iron, bronze, stainless steel or ductile iron
- Option for mechanical seal or soft packing box
- Available in 50 and 60Hz

SR
Vertical multistage centrifugal pumps made of cast iron or stainless steel



MK(T)-MB(T)-MS(T)

Single stage end-suction pumps
Capacity up to 4.000 m³/h
Head up to 160 m



MSC-MSB-MSS

Multistage cast iron pumps
Capacity up to 1.000 m³/h
Head up to 400 m



HSC

Split case double suction pumps
Capacity up to 5.000 m³/h
Head up to 160 m



SH-SHN

Horizontal multistage centrifugal pumps made of cast iron or stainless steel AISI316



Submersible & Axial Pumps Industry
FLINOS BROS - K. MARINAKIS S.A.

7th km. Argos 212 00 ARGOS - GREECE
web site: www.anavalos.gr



- Vertical Turbine Pumps
- for wells from 4', 6', 7', 8', 10', 12', 14', 17'
- Capacity up to 10.000 m³/h.
- Head up to 400 m.
- Cast iron deep well pumps, closed or semi-open impellers made of bronze
- Vertical or Horizontal installation of motor
- Transmission vertical, horizontal through pulley, gear-box through tractor or diesel engine
- Cast iron deep well pumps, ing on demand (sea or sand made of bronze)
- Available in 50 and 60Hz



Ring-section pump Movitec H(S)
Multistage horizontal high-pressure centrifugal pump with KSB SuPremE motor



Dry-installed pump Etanorm
Horizontal volute casing pump, single-stage, long-coupled, back pull-out design. With KSB SuPremE Motor



Dry-installed pump Etabloc
Single-stage close-coupled volute casing pump. With KSB SuPremE Motor



Dry-installed pump Etaline-R
Vertical close-coupled pump with volute casing in in-line design with KSB SuPremE motor



Made in Korea

SEGO INDUSTRY CO., LTD.

www.segopump.co.kr

Head office & 1st factory:
199, Bongsu-daero, Seo-gu, Incheon, Republic of Korea

HP-Panel Series



- 7" Full Color Touch Screen
- Energy saving by individual inverter control
- Simple control with Hangeul screen
- Application of intuitive GUI
- Application of a proximity sensor to activate screen saver separately
- Checking the state of panel is possible in the distance by using a LED bar

Product specification

Power range	1.5 ~ 15kW
Number of pump	2EA ~ 4EA
Input power	3Ø X 380V ~ 440V
Output power	3Ø X 380V ~ 440V
Frequency	50/60Hz
Output frequency range	0 ~ 60Hz
Ambient temperature	-10°C ~ +40°C

HP-Panel Features

- Minimized thermal radiation by using 3G power semiconductors
- Application of 7" color TFT LCD
- Current, voltage display
- Embedded EOCR
- Motion state expressed in graphic animation
- Compact Size

Basic items supplied

- HP-Panel
- Pressure sensor

Introduction to GUI (Graphic User Interface)



Select operating status information (% : Operating rate, A : current, Hz : Frequency)

Menu settings (Control function/Add-ons/Protection function/Sensor settings)

Display pump operation information

Status display LED (Operation, Waiting, By turning on the error status LED)

Displays the current operating mode (Pressure, Speed, External voltage, flux)

Operation / Stop (Press and hold for 1 sec)

HS Series (Panel type booster pump)		ESB Series (Individual inverter type booster pump)	
SM Series (Vertical multistage pump)	SMD Series (Double seal vertical multistage pump)	SMC Series (High temperature vertical multistage pump)	SC Series (Submersible multistage pump)
SH Series (High pressure multistage pump)	IP1000S Series (Inverter embedded horizontal booster pump)	SP500V Series (Inverter embedded vertical booster pump)	
IP Series (Horizontal multistage pump)	IP500S Series (Inverter embedded horizontal multistage pump)	SL Series (In-line pump)	SLE Series (Inverter embedded in-line pump)

SEWAGE PUMPS



Tsurumi Sewage Pumps and Explosion proof.

with impellers:

- Vortex
- Semi-Vortex
- Non-clog
- C Series Cutter

GRP/FRP AND STAINLESS STEEL BOLTED WATER TANK



SUNG IL GRP/ENM WATER TANK



Korea Certificate

Korea: KCW-2013-0135
(Korea water and waste water works Association)

Authority Certificate

USA: NSF61(USA)
U.K: WRAS BS6920
BS EN13280: 2001
Singapore: PSB S5245 : 1995
S5375 : 2001



Highest quality sanitary SB Tank

HOT DIP GALVANIZED STEEL BOLTED PANEL TANK

Patent NO. 0318586



Patents Status in Korea

Heat Insulation Panel	: No. 0495287
All-in-one Water Tank	: No. 20-0457565
Reinforced frame for Water Tank	: No. 30-0801784
ENM Water Tank	: No. 30-0867794

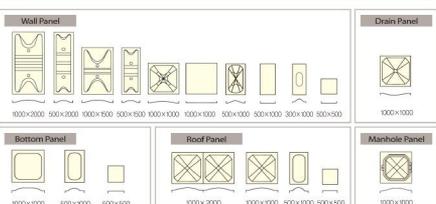
Hot Press Moulded GRP Sectional Panel Tank

Internally Reinforced System

- It is possible that various capacity's design and flexible space should be used by GRP panels standardized

Name	Material	Name	Material
Manhole panel	GRP	Roof support pipe	GRP(Pultrusion)
External ladder	SS400(HDG)	Base frame	SS400(HDG)
Internal ladder	GRP (Pultrusion)		
Internal Tie Rod	GRP, ST316(PET coating), ST316L(PET coating)	Inside STS: Bolt/Nut(304, 316L), Washer(316L)	
Internal Bracket	GRP, ST316(PET coating), ST316L(PET coating)	Roof Panel: acetyl cap bolt(M10)	
Flange bar, Flat bar		Outside : HDG Bolt + PVC Bolt cap	
External bracket		Connection: HDG + Acetyl Cap (M14)	
Corner bracket		Size: M10, M14	
Corner frame	SS400(HDG)	Sealing Tape	PVC Sealant + Butyl or EVA Sealant + PVC Sealant
Bottom bracket		Water Level Gauge	Aluminum Case+PE Clear Tube+Socket
Corner frame		Name Plate	Aluminum(Water Tank Safety Management Instruction)

GRP Panel Type and Size

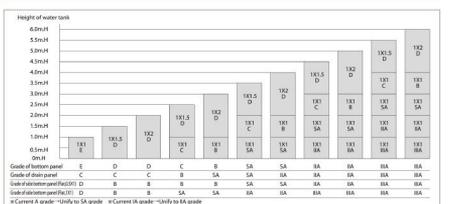


Externally Reinforced System

- Excellent watertightness, hygienic conditions and non-leakage applied internally reinforced stay(Stainless)

Name	Material	Name	Material
Manhole panel	GRP	Base frame	SS400(HDG)
External ladder	SS400(HDG)		
Internal ladder	GRP (Pultrusion)	Inside STS: Bolt/Nut(304, 316L), Washer(316L)	
Internal Bracket	GRP, ST316(PET coating), ST316L(PET coating)	Roof Panel: acetyl cap bolt(M10)	
External Support Tie-rod	HDG PIPE	Outside : HDG Bolt + PVC Bolt cap	
External Pair Frame	1.5-2.5mm; Best Type, 3-5mm; I-beam Type	Connection: HDG + Acetyl Cap (M14)	
Corner Bracket		Size: M10, M14	
Corner Frame	SS400(HDG)	Sealing Tape	① PVC Sealant + Butyl ② EVA Sealant + PVC Sealant
Roof support pipe	GRP(Pultrusion)	Water Level Gauge	Aluminum Case+PE Clear Tube+Socket
		Name Plate	Aluminum(Water Tank Safety Management Instruction)

GRP Panel Composition by Height



SUNG IL CO., LTD.

20, Gimhae-daero 1031 Beon-gil, Hallim-myeon, Gimhae-si, Gyeongsangnam-do, Korea
Homepage : www.sungilgrp.co.kr

Panel Physical Properties (KS F 4811 Standard)

Item	Unit	Standard	Result	Test Method	Remark
Tensile Strength	Mpa	Over 60	91.4	KS F 4811:2016	
Bending Strength	Mpa	Over 80	200	KS F 4811:2016	
Elastic modulus in Bending	Mpa	Over 6000	15287	KS F 4811:2016	
Glass fiber Content	%	Over 25	31	KS F 4811:2016	
Barcol Hardness	-	Over 30	61	KS F 4811:2016	
Water absorption	%	Below 1.0	0.05	KS F 4811:2016	
Hydrostatic pressure	-	Over 4 times	4 times	KS F 4811:2016	